



Telephone Handset & Hanger

Product Code: TEL-HAND



1 In-Built Speaker

Suitable for relaying audio messages.

2 Hanger

Securely store the handset when not in use with the impact resistant metallic hanger. Easily fit to any flat surface with the screws provided.

3 In-Built Microphone

Suitable for receiving audio from the user.

4 Armoured Cable

The audio cable is protected by a 0.81m stainless steel armoured conduit cable. With a heavy duty strain relief offering further protection.

5 3.5mm Audio Jack

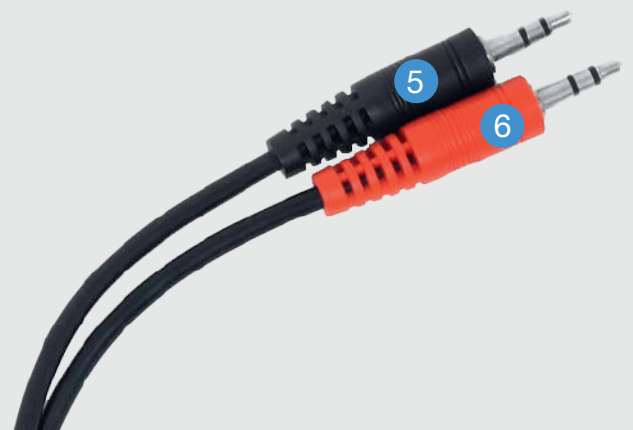
Simply connect to your audio playback device via the black 3.5mm jack.

6 3.5mm Microphone Jack

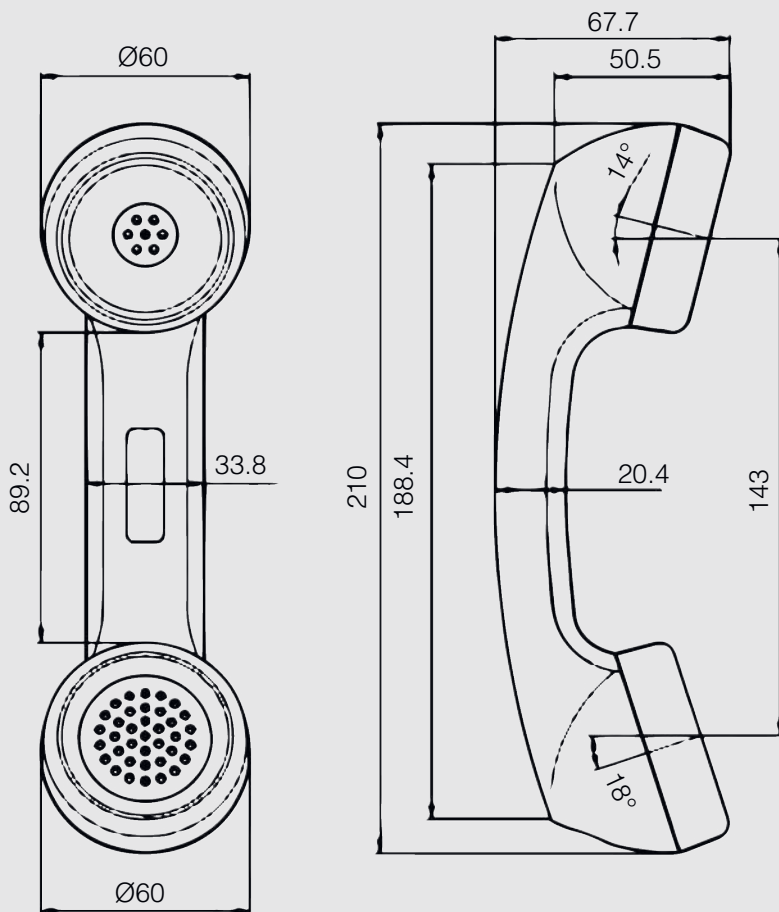
Simply connect to your audio recording device via the red 3.5mm jack.

✓ Optional Printed Label

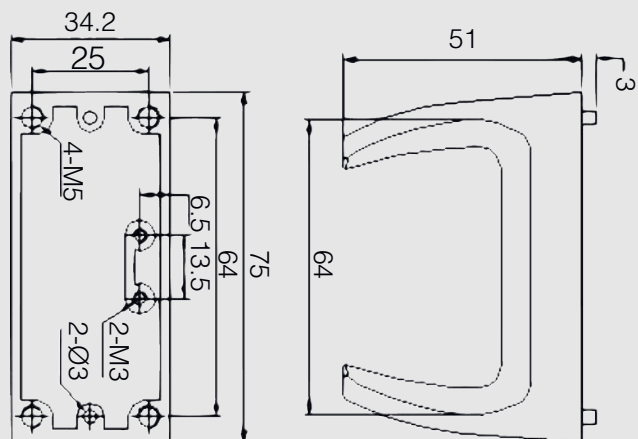
Customise your handset with optional printed labels.



Technical Information



Package Weight	503g
Package Dimensions	180 x 160 x 80mm
DC Resistance	130±10 ohm
Impedance	150±20 ohm at 1 KHz
Frequency Response Range	300 Hz-3400 Hz
Sensitivity	95±3 dB at 60mv
Ambient Noise	≤60dB
SLR	5~15dB
RLR	~7~2Db
Input Power (W)	Rated: 30mW - Max: 50mW
STMR	≥7dB
Armoured Cable Length	812.8mm
Relative Humidity	≤95%
Atmospheric Pressure	80Kpa-110Kpa
Operating Temperature	-30°C to 50°C
Connector	3.5mm Two-Audio Jack
Included	1 x Telephone Receiver, 1 x Hanger, 2 x M3 Screws, 2 x Ø3 Screws, 4 x M5 Screws



Related Products



Single Cup Armour Cable Headphones



SoundClip-12



MKII Armour Cable Headphones



SoundClip-V2