

U-Turn Round

Serial no. 490+



Manual v3.1

Jan 2017

Contents

1. Standard Operation	4
2. First Time Setup	5
3. Configuring your U-Turn	5
3.1 Volume Adjustment	7
3.2 Individual Track Statistics	7
3.3 Total Track Statistics	8
3.4 Upload New Content	8
3.5 Factory Settings (beeps on/off)	9
3.6 Retrieve Units Serial No.	9
3.7 Complete Total Track Statistics.....	10
3.8 Erase Statistics	10
Programming U-Turn Round.....	11
A1 & A2	12
8 Audio Messages	12
Uploading Content.....	13
Installation Guide	15
Wall mounted	15
Post Mounted	16
Export Post Mounted.....	16
Connector Collar	17
Export Collar	17
Specifications	18

Thank you for purchasing the U-Turn Round

The UTR is one of a range of products we offer specific to the heritage marketplace. We are confident that we have other products you will find useful and look forward to hearing from you again soon.

T: +44 (0)1639 767007 | W: www.blackboxav.co.uk

1. Standard Operation

We have tried to keep the operation of the U-Turn Round as simple as possible...



1. **Select** a track from the 8 available.
2. **Turn** the handle round in either direction. (keep turning until the message plays).
3. **Listen** to the message.



- USB Programming Dongle.

Select a message then wind the unit until the message begins. You will be instructed to 'please turn me till the message plays'.

As standard at the end of each message you will hear a beep, this beep can be disabled (see 'FACTORY SETTINGS' section).

A new message will begin when selected if the unit has enough power stored from the previous wind, if there is not enough power you will need to wind again. Depending upon the length of a message you may have to wind the unit more than once, if this is the case the message will pause and you will be told

'I'm paused, please turn me some more'. The ideal maximum message length is no more than 135 seconds; the unit should play this on a single charge. **Note this is affected by higher volume levels.**

2. First Time Setup

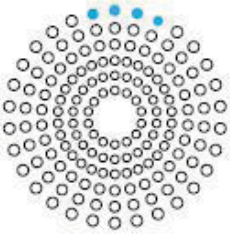
When your U-Turn first arrives it will be in transit mode; simply wind the unit and it will state 'please turn me till the message plays' then proceed to play the U-Turn welcome message. From this point the unit will operate normally.

3. Configuring your U-Turn

Warning: Use USB Programming dongle only, not original SD Card programmer.

There are various configuration options for your U-Turn round. To access each setting you simply need your USB Programming Dongle (included with your U-Turn Round) with an attached USB stick.

Note: The USB stick does not need to have content on it unless you intend to Upload New Content (option 4), however the dongle does need to have at least an empty USB stick connected for all other options.



Ensure the U-Turn isn't playing a message and insert the Dongle & USB stick into the speaker holes indicated in the diagram to the left.

The available settings are as follows;

1. Volume Adjustment
2. Individual Track Statistics (since last erase)
3. Total Track Statistics (since last erase)
4. Upload New Content
5. Factory Settings (turn message beeps on/off)
6. Serial Number (retrieve the units unique serial number)
7. Complete Total Track Statistics (cannot be erased)
8. Erase Statistics

Select which setting you wish to access via the selection dial and wind the unit. You will be asked to remove the dongle and then keep winding the unit until it reaches full power for each setting which will take approximately 16 seconds. So;

Insert Dongle -> Select Option -> Wind -> Remove Dongle -> Wind

3.1 Volume Adjustment

Here you can set the volume level from 1 - 10. Insert the dongle and select dial 1, wind the handle and the unit will ask you to remove the dongle, remove the dongle and continue to wind - the unit will now say 'Please turn me till I reach full power, I will tell you when to stop'.

Once you reach full power the unit will go through the volume options starting at 1 and ending on 10. Simply turn the dial to any other number when you reach the volume level you desire. You will hear a 'Thank you' and a beep to indicate the level has been saved.

3.2 Individual Track Statistics

Here you gain access to the statistics for each individual track plays.

Note: These statistics are erased using setting 8.

Insert the dongle and select dial number 2. Wind the unit, remove the dongle when asked then continue to wind the unit and it will tell you to 'Please turn me until I reach full power, I will tell you when to stop'. Continue to wind the handle until full power is reached.

The unit will now provide play statistics for each track in turn, from 1 - 8. Each number will be given up to 6 digits, for example if track 1 has been played 238 times the U-Turn will say;

"Total messages for track one are as follows, two three eight".

You can exit this setting at any point by turning the dial to another number the unit will finish giving the statistics for the current track then exit.

3.3 Total Track Statistics

Here you gain access to the total plays for every track combined.

Note: These statistics are erased using setting 8.

Insert the dongle and select dial number 3. Wind the unit, remove the dongle when asked then continue to wind the unit and it will tell you to 'Please turn me until I reach full power, I will tell you when to stop'. Continue to wind the handle until full power is reached.

The unit will now provide play statistics for every track combined. The number will be given up to 6 digits. For example if the number of plays for tracks 1-8 combined is equal to 1023 the U-Turn will say;

"one, zero, two, three"

It will repeat this number twice.

3.4 Upload New Content

Here you can update the 8 tracks available on your U-Turn Round and change the 'Please turn me' and 'I'm paused' messages. Please see the programming section for further details.

3.5 Factory Settings (beeps on/off)

Here you can disable the end of message beeps that are set as standard on the U-Turn Round.

Insert the dongle and select dial number 5. Wind the unit, remove the dongle when asked then continue to wind the unit and it will tell you to 'please turn me until I reach full power, I will tell you when to stop'. Continue to wind the handle until full power is reached.

Once at full power the unit will ask you to 'please enter your blackbox av pin code to use this selection'. Wait for a beep then enter the pincode using the selector dial, turn the dial to the required number then leave it until the unit repeats the number.

To turn beeps on enter **8-7-8-7-4**

To turn beeps off enter **8-7-8-7-5** (*menu beeps stay active*)

When you enter the final number wait 10 seconds for the new setting to be saved before touching the dial or handle. You should hear 3 beeps immediately after making the change then a single beep after 10 seconds to indicate it has been saved.

Test the unit to ensure the beeps have been deactivated or reactivated.

3.6 Retrieve Units Serial No. & Firmware Version

Here you gain access to your U-Turn's serial number & firmware version. Insert the dongle and select dial number 6, Wind the unit, remove the dongle when asked then continue to wind the unit and it will tell you to 'please turn me until I reach full power I will tell

you when to stop'. Continue to wind the handle until full power is reached.

Once enough power has been generated the U-Turn will give you your serial number up to 6 digits followed by the firmware version number, for example;

'Your U-Turn Round serial number is - "one, two, zero, four, seven, three - version number 4.1'.

3.7 Complete Total Track Statistics

Here you can access the statistics for total all time plays. This number cannot be erased unlike statistics 2 and 3.

Insert the dongle and select dial number 7. Wind the unit, remove the dongle when asked then continue to wind the unit and it will tell you to 'please turn me until I reach full power, I will tell you when to stop'. Continue to wind the handle until full power is reached.

Once enough power has been stored the unit will provide the total all time play statistics up to 6 digits. For example if the unit had been played 179,456 times;

'Total messages played please note that this counter cannot be reset - one, seven, nine, four, five, six'

It will repeat this statistic twice.

3.8 Erase Statistics

Here you can erase the statistics available in settings 2 and 3. **It does not erase the total stored play statistics in setting 7.**

This option allows you to track plays periodically if you wish and still keep track of total overall plays.

Insert the dongle and select dial number 8. Wind the unit, remove the dongle when asked then continue to wind the unit and it will tell you to 'please turn me until I reach full power, I will tell you when to stop'. Continue to wind the handle until full power is reached.

Once full power has been reached the unit will state;

'Warning you are about to reset the stat counters if you wish to cancel this please turn the dial now'

There are then 5 warning beeps turn the dial before the 5th beep to cancel the reset -If you do not the unit will proceed to reset the counters for settings 2 and 3.

Programming U-Turn Round

Updating the audio content on your U-Turn Round couldn't be easier, you will need 4 things;

Note: Not compatible with Macs, must use Windows XP or above. Audio must be .mp3 format.

1. 2 standard messages (A1 & A2 - "Please turn me" and "I'm paused")
2. 8 audio messages (1 - 8)

3. USB Stick (included)
4. USB Programming Dongle (included)

We suggest you study / copy the files as they appear on your included USB Flash stick for future reference.

A1 & A2

These files are included on the Flash Stick and are responsible for the messages;

A1 - "Please turn me till the message plays"

A2 - "I'm paused, please turn me some more"

Changing these files allows you to customise the messages should you need to alter their phrasing or language. They must always be the first two files added to the USB Flash Stick, with A1 being dragged across first, then A2 .

Note: The name of the files does not matter, the order they are added to the USB stick is what's important.

8 Audio Messages

You will need 8 audio files to upload to the U-Turn Round. Even if your U-Turn only utilises a portion of the audio slots, you will still need 8 files for upload.

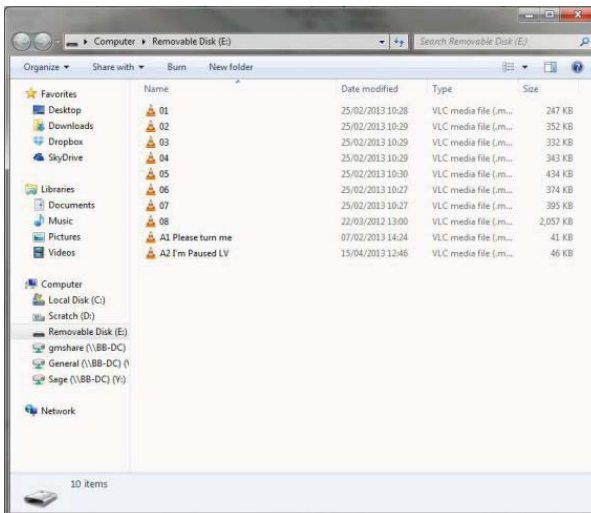
This means 10 files in total (including A1 & A2) , if you attempt to program your U-Turn Round without the correct number of files it will tell you and the upload will fail.

Once again the name of the tracks is inconsequential; the order in which you transfer them across to your USB Stick is what's important.

First transfer A1, A2, then track 1, track 2, track 3 etc. Each track will be selectable via the corresponding dial slot (track 1 = dial 1).

Note: If you do not have the USB Stick provided, use a USB stick less than 1GB in size if possible, if you have issues uploading your files please first retry with a different USB stick.

Uploading Content



You should now have 10 files on your USB Stick, including A1 & A2;

Again, please note that the name of your files does not matter; it's the order in which they are added to the USB stick, please drag A1 across first, then A2, then track 1, track 2 etc.

Connect your USB Stick to the USB Programming Dongle and insert into the connection slots located in the speaker grill. Select 4 on the dial and wind the handle.

Wind the unit and it will tell you to “Please turn me till I reach full power, I will tell you when to stop”. Once full power is reached the U-Turn will tell you it’s “Transferring files”. It will inform you that you may need to wind the U-Turn again during the transfer for additional power. If so this will be indicated with beeps.

This process should take approximately 2 minutes total. You will see a red LED through the grill as the files are being transferred. When finished you will hear “Thankyou please remove the Dongle and USB Content Uploader”. Your content is now updated.

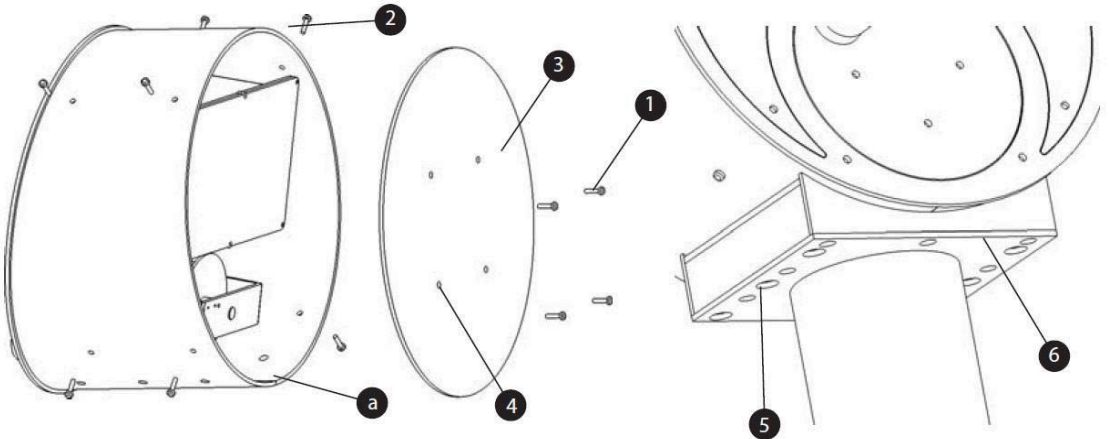
After Programming New Content

After programming new content the U-Turn needs to learn how much power is required to play each track, this will then minimise how much winding needs to be done by users in future.

You will need to wind the handle for each track, when learning the power requirements the U-Turn will not play the track but instead say it is in ‘Learn Mode’. Keep winding until the track begins to play - it will begin the track once it has completed learning.

This will need to be done for every track so begin at track 1, then move to track 2 etc.

Installation Guide



Wall mounted

- a.** Remove the 4 rear security screws (1). Remove 4 security screws (2) and detach the rear panel (3) from the unit (a).
- b.** Using the rear panel (3) as a template mark 4 points through the four fixing holes(4). Ensure that the panel is straight.
- c.** Drill the four marked holes and using appropriate fixings secure the rear panel to the wall through the 4 fixing holes(4). If attaching to an uneven surface take care not to over tighten as this could cause the plate to distort.
- d.** Offer the unit up to the rear plate. Slide the tube over the fixing tabs. Align the holes, insert and tighten the 4 rear security screws (4).

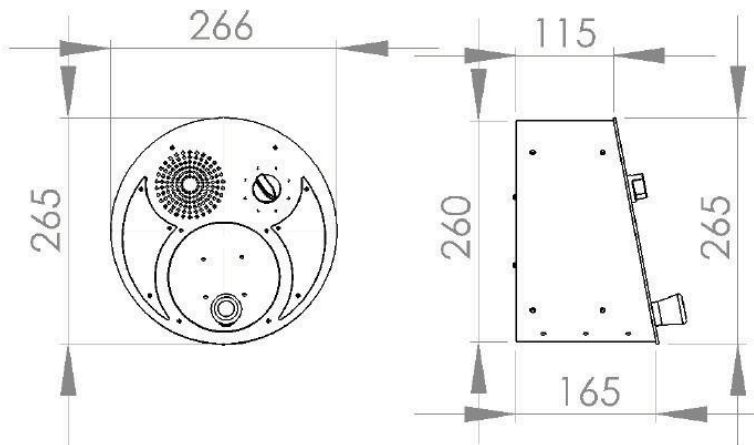
Post Mounted

- a. Remove the 4 dome head security screws from the bag supplied. Place the U-Turn Round on the post collar (6).
- b. Align the mounting holes on the base of the U-Turn to the corresponding holes of the collar (6). Screw and tighten the 4 dome head security screws (5) through the collar into the base of the U-Turn

Export Post Mounted

- a. Fix collar and post adapter using screws (5) through the collar into the base of the U-Turn.
- b. Fix collar and U-Turn to post.

Size



Connector Collar

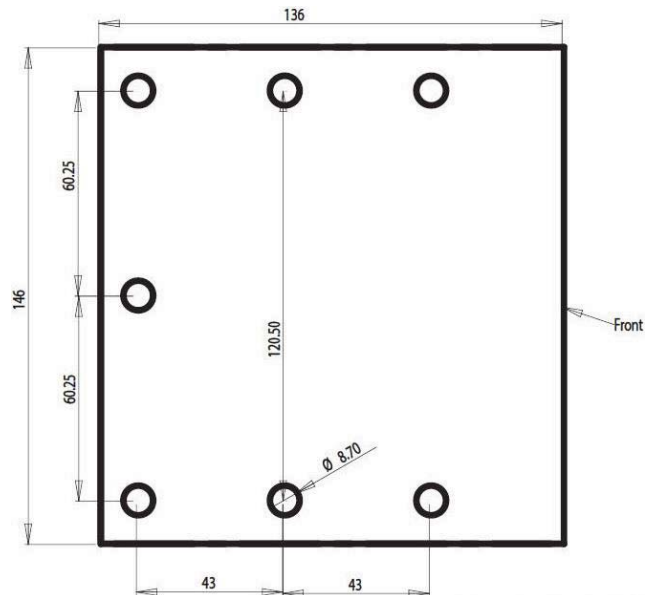


We have designed this connector collar to supply to existing U-Turn customers. This collar fits the old style pole so it's an easy to upgrade to the U-Turn Round.

Export Collar

If you are based outside the UK the cost of shipping a pole can be high, to save you money we suggest you source your own pole following our specifications. We can then supply this export collar which contains the complex connections required to hold the U-Turn Round in place.

To the right is a template that shows the holes you will require in the top of your post to fix the collar to.



Specifications

Message Storage Medium	16MB Flash Memory (on board)
Maximum number of messages	8 must be 8 files (not including play and pause audio, A1 A2)
Message encoding format	.mp3
Maximum total audio length	23 minutes with audio @96kbps
Recommended message length	< 2 minutes per message
Audio output	1w into 8ohm speaker
Freq. range	75Hz-20kHz
Power	Hand cranked dynamo charging internal capacitors
Weight	Unboxed: 8KG Boxed: 9.5Kg

The total audio length is dependent upon the audio bitrate, use the following link to determine the optimal bitrate for your audio;

<http://www.blackboxav.co.uk/bitrate-time-converter>

Please note that messages beyond 2 minutes in length will require an additional charge to complete their play.

For additional help please contact us:

www.blackboxav.co.uk/support

Tel: +44 (0)1639 874 100

Email: sales@blackboxav.co.uk