



32" Free Standing Kiosk

Manual

V1.3

Contents

Safety Guide	3
Your new 32" Kiosk.....	4
Overview.....	5
Setting Up*	6
Technical Information.....	7
Technical Drawings.....	7

Safety Guide

Please observe the following when installing this device

Warning

- If there is damage to the power cable in any way, arrange for a replacement unit by contacting blackbox-av. They may require you to send the defective power unit back so in this case do not dispose of the power supply unless prompted to do so. If you wish to source your own power supply a CE or FC certified double insulated and regulated supply is required. The unit is supplied with a 1.5M IEC cable, if you wish to replace it, use one with a 5 amp fuse. Using a power cable with a higher voltage will irreparably damage the unit.
- Do not place the unit in direct sunlight for prolonged periods as this may cause the product to overheat.
- This product is not designed to be resistant to moisture or excessive dirt/dust. When deciding on a suitable installation point ensure there is reasonable protection from environmental damage.
- When attaching headphones or speakers please use certified and good quality accessories. Failure to use care with these connections may result in damaging the device and subsequently affect the blackbox-av warranty.
- When cleaning the screen, please use a Microfibre cloth.

Your new 32" Kiosk

In the box

1. Modern 32" Free-Standing Kiosk
2. Access Keys
3. Magnetic Power Key
4. AC Power Cable
5. Headphones with Hanger (optional)

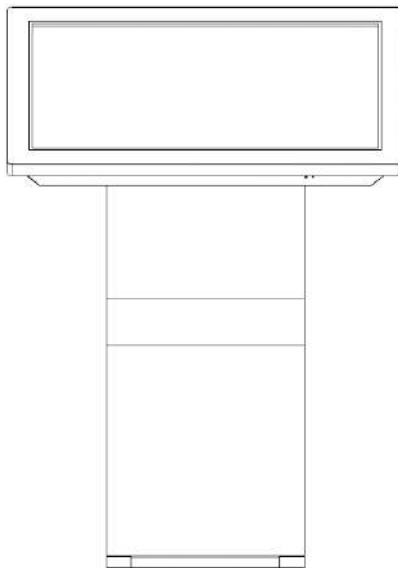
32" Multi-Touch Kiosk

The Kiosk supports up to 10 touches and gesture controls. It is ideal for use in high traffic public access environments.

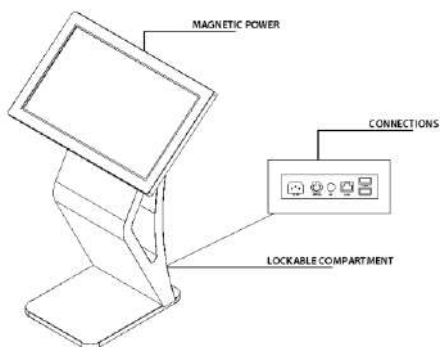
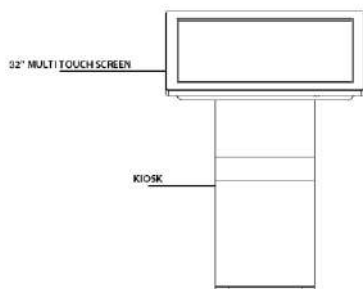
Utilising Capacitive touch technology to ensure reliability throughout extended use.

Lightbox 3

The Multi Touch Kiosk is compatible with our interactive software package, Lightbox 3. Designed specifically for museum & heritage applications.



Overview



32" All-in-One PC

Powered by a powerful PC the highly responsive 32" screen is capable of running both Lightbox 3 or any windows compatible bespoke options.

Kiosk

Made from metal, the Kiosk is suitable for any indoor environment.

Magnetic Power Switch

The supplied Magnetic key can be used to start up and shutdown the All-in-One; simply use it at the top of the screen as labelled on the diagram. Hold for half a second then remove and wait for the touchscreen to boot up.

Lockable Compartment

To access the compartment, simply use the supplied key.

Power Input

Inside the Compartment, you will find the AC IN to power the screen.

USB & LAN

You also have access to 2 x USB 2.0 and a LAN connection for wired internet.

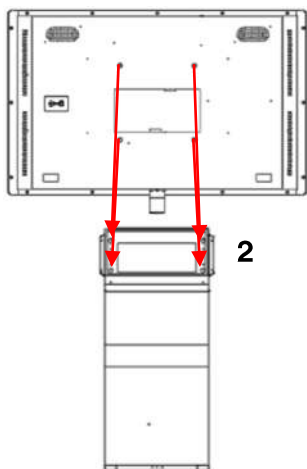
Setting Up*

1. Insert Cables

You need to insert the cables from the stand into the screen. To do this, lift the screen over the stand and attach the AC Power Adapter, USB and LAN cable.

2. Screw and Place

You will then need to attach the 4 bolts to the 4 holes on the stand. Once attached, push down into place as seen in the diagram below;

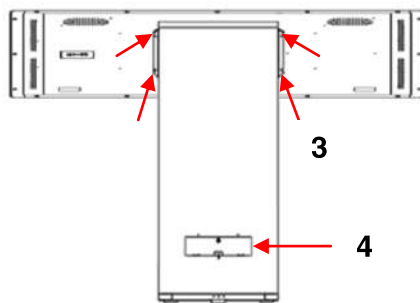


3. Secure via Wings

To further secure the stand and Screen into place, please use all supplied screws and fit into the fixing wings as referred in the diagram below;

4. Power Cable

Attach the AC Power adapter to the access hatch at the bottom of the kiosk, thread through the hole.



*Screen not to scale, above diagrams utilise 43" model

Attaching Optional Headphone Hanger**

Attach the hanger onto the front of the screen with the three included screws. Standard screwdriver required

**Image not to scale, picture utilises 22" model



Technical Information

Unit Weight	34.2KG
Kiosk Dimensions	803.40 (W) x 540 (D) x 1140 (H)
Screen Dimensions	803.40 (W) x 69.20 (D) x 497.90 (H)
Touchscreen I/O	1 x Mains Input, Headphone & Mic ports, 1 x HDMI port, 1 x VGA port, 2 x USB 3.0, 2 x USB 2.0, 1 x Ethernet port
Maximum Resolution	1920x1080
Aspect Ratio	16:9
Viewing Angle	89°/89°/89°/89°
Contrast Ratio	1400:1
Brightness	500cd/m ²
Operating System	Windows 10 Pro
Touch Points	10
CPU	Intel Core Processor, i7 10700 @ 2.9
Graphics	Intel UHD650
Memory	8GB RAM, 50GB SSD
WiFi	Built-in WiFi 802.11B/G/N

Technical Drawings

Drawings not to scale

