

The HQ range of totally waterproof loudspeakers is exactly that. The speakers are not just splash proof - they're totally waterproof - and their carefully designed construction ensures that they operate and survive in conditions where you wouldn't normally expect a loudspeaker to work. Inside or outside - it doesn't matter. The components are designed to withstand water, UV, acid or alkali.

Product code	Rated Power RMS (Watts)	Impedance (ohms)	Selectable Tappings on transformer (Watts)	SPL at 1W/1m @1 KHz	SPL at rated Power	Frequency response	Nominal dimensions Ø	Ceiling cut out (mm) Ø	Nominal Unit weight kg	Material	Standard Finish
AQUTE4 MC4CXLI	30W	8	N/a	87 dB	101 dB	80 Hz–20 kHz	4"	105	0.70	ABS	Black or White
AQUTE5 MC5CXLI	40W	8	N/a	88 dB	104 dB	70 Hz–20 kHz	5"	115	0.75	ABS	Black or White
AQUTE6 MC6CXLI	50W	8	N/a	89 dB	106 dB	60 Hz–20 kHz	6"	135	0.90	ABS	Black or White

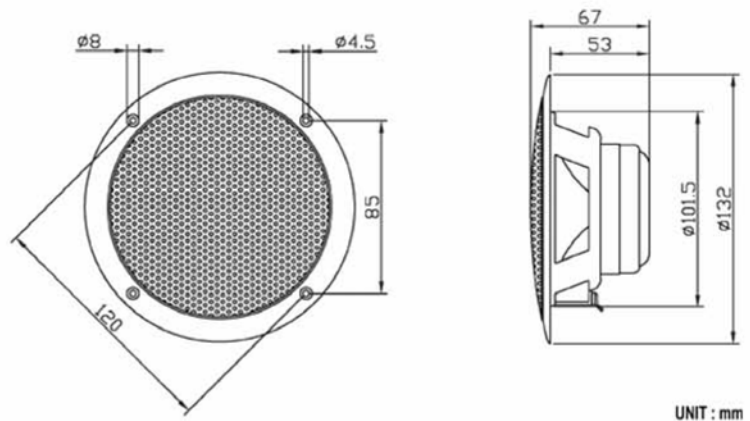
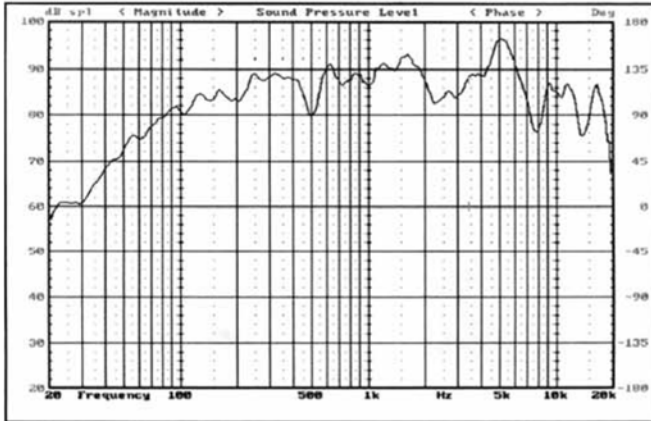
Through Panel HQ Speakers

4, 5 & 6
8 Ω Low Impedance



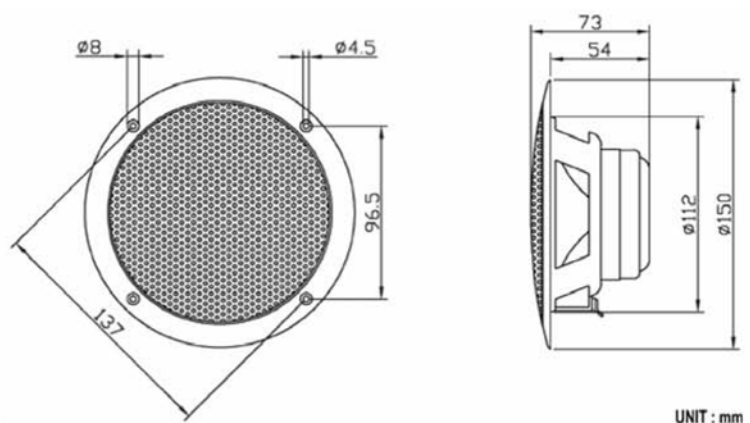
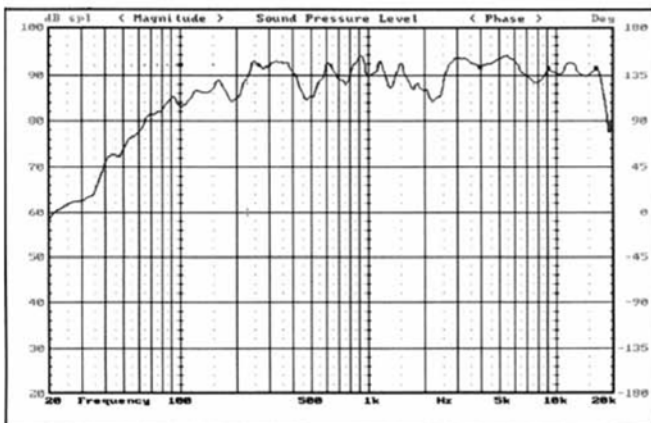
- High quality UV stabilised corrosion proof ABS plastic basket
- PP mica injection cone with TPU surround
- Corrosion proof silicone coated terminal wire
- UV stabilised and corrosion proof and acid/alkali resistant mesh
- Stainless steel hardware to ensure complete freedom from rust
- Waterproof speaker intended for surface mounting to either ceiling or wall

4: Dimensions and Frequency Response



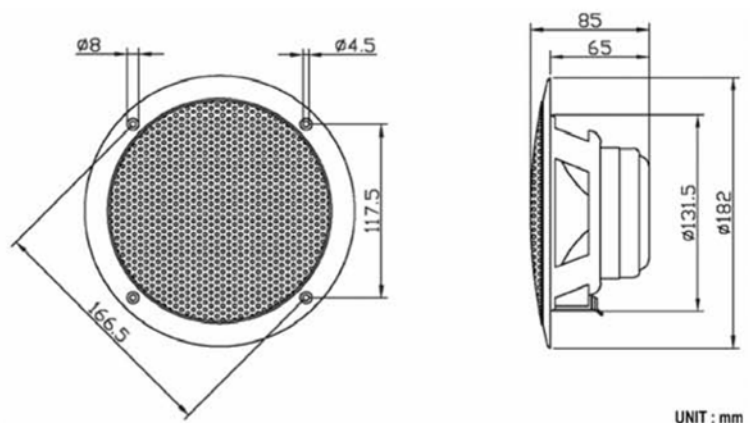
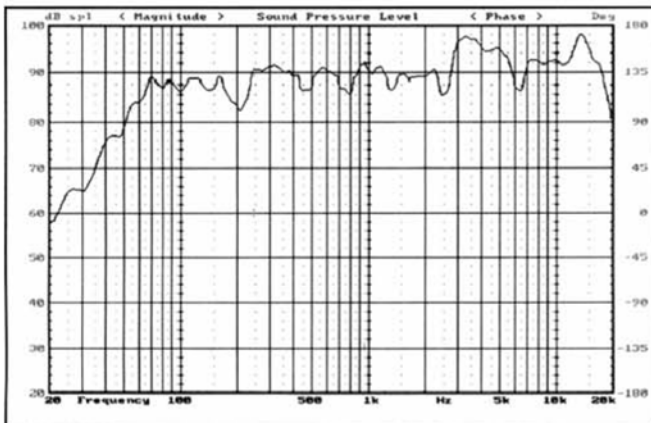
UNIT : mm

5: Dimensions and Frequency Response



UNIT : mm

6: Dimensions and Frequency Response



UNIT : mm